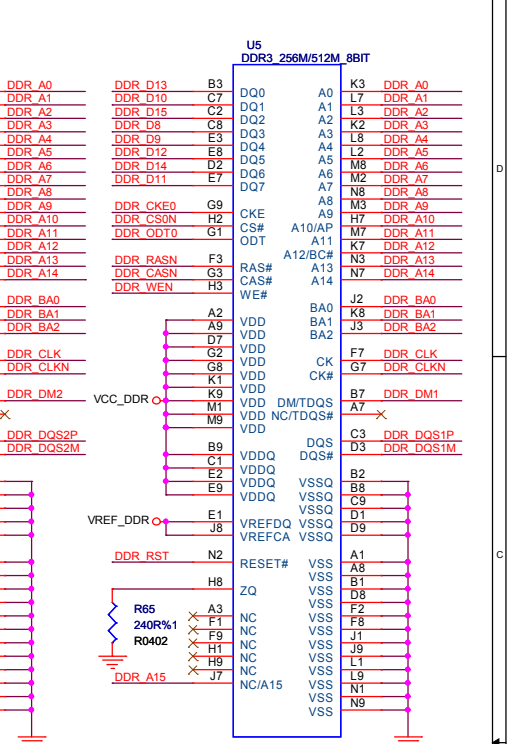
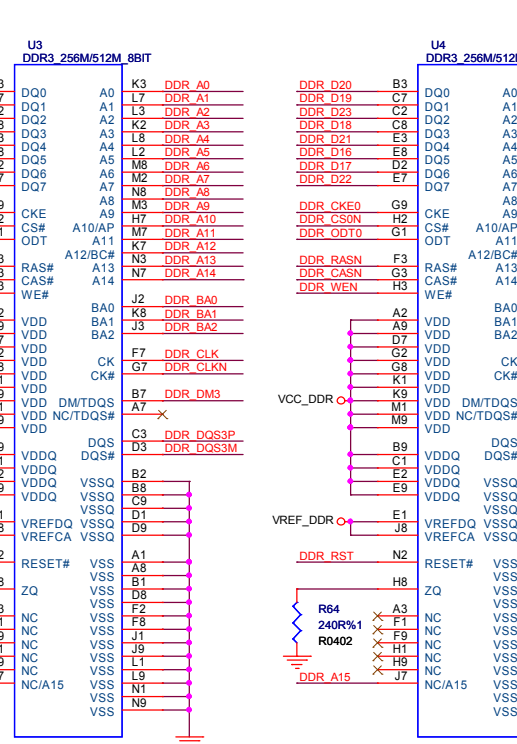
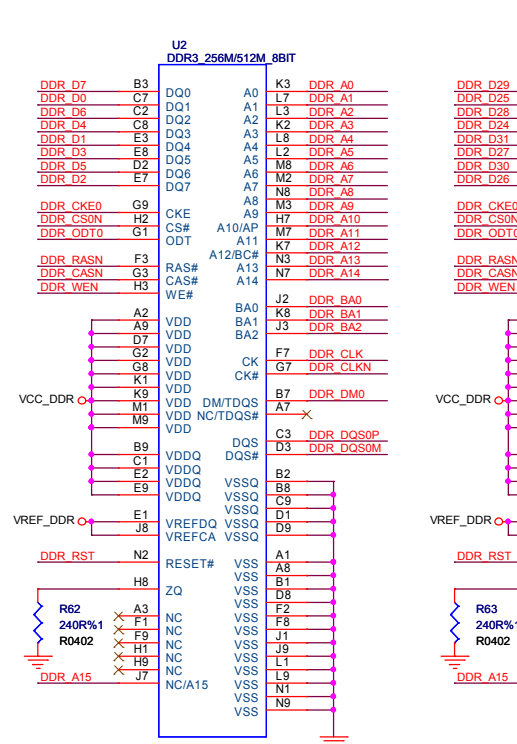
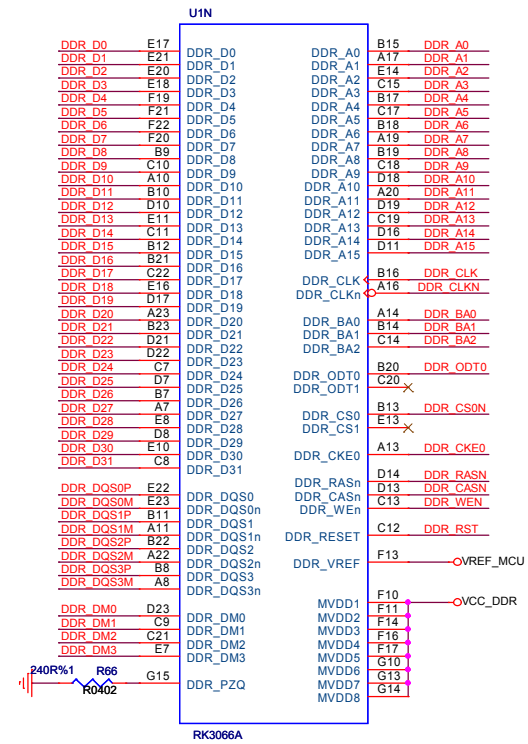
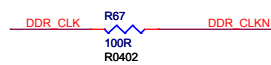


Version	Date	Author	Change Note	Approved
V1.0	20111213	HCH	First edictor	

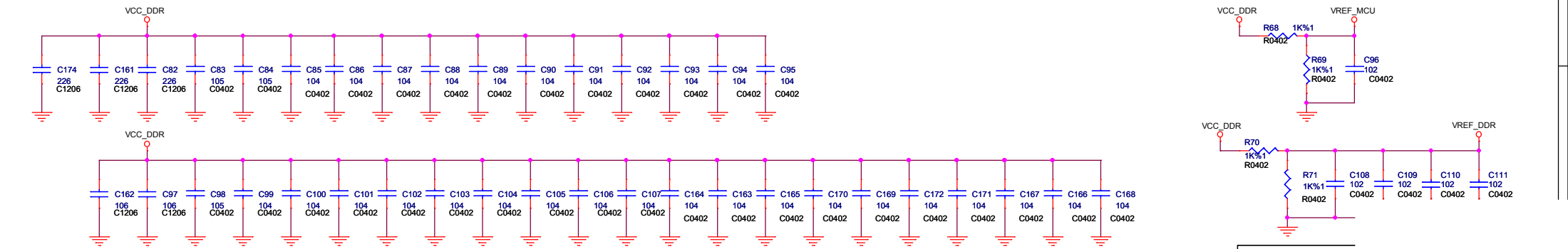


说明：贴4片256Mx8BIT，容量是1G；
贴4片512Mx8BIT，容量是2G；



RK3066A-N

DDR3



DDR FILTER

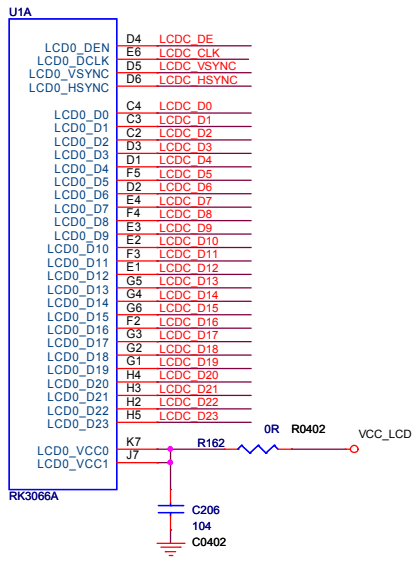
Rockchip
瑞芯微电子

Title: **RK3066A_S**

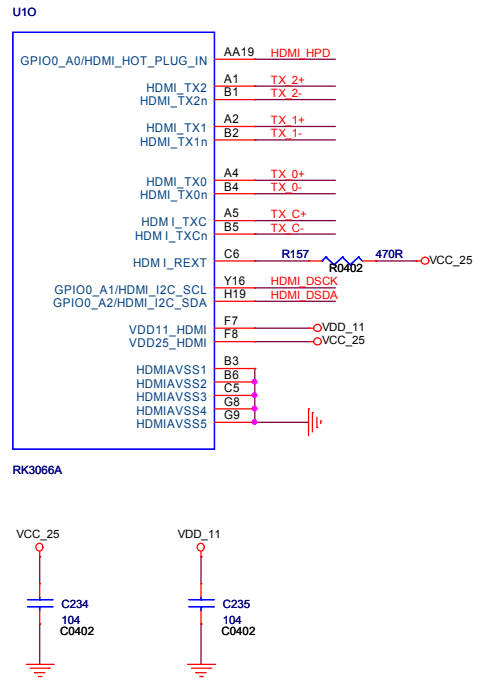
File: **DDR3**

Create Date: **Tuesday, Nov**

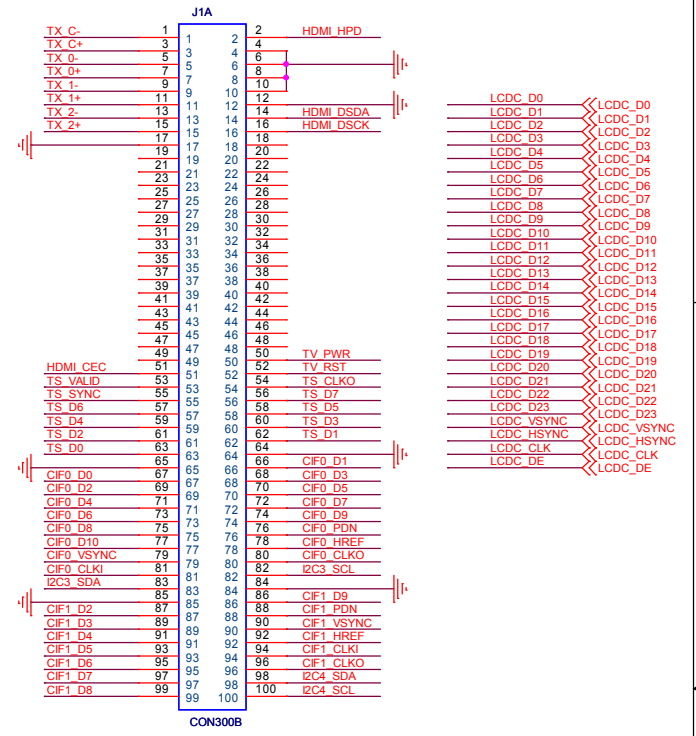
Modify Date: **Wednesday, 1**



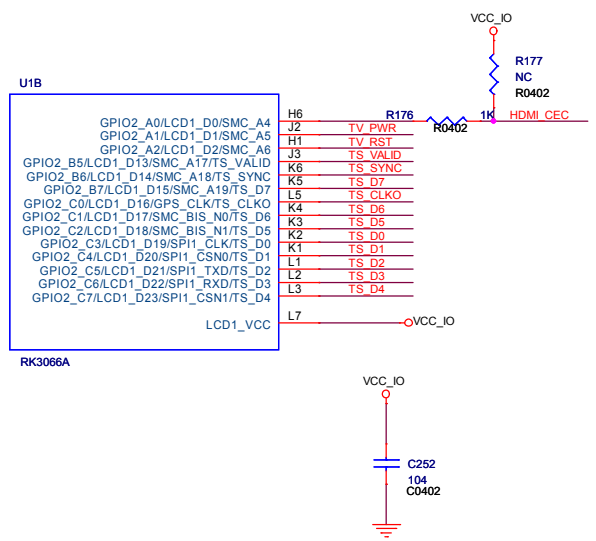
RK3066A-A



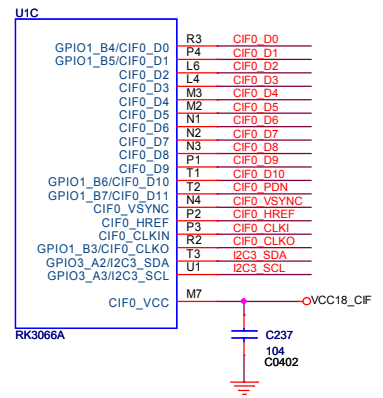
RK3066A-O



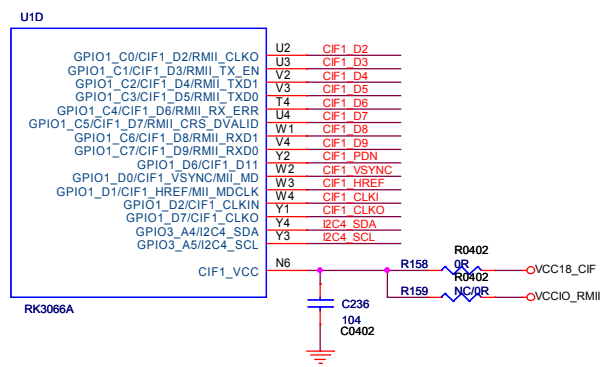
RK3066A-D



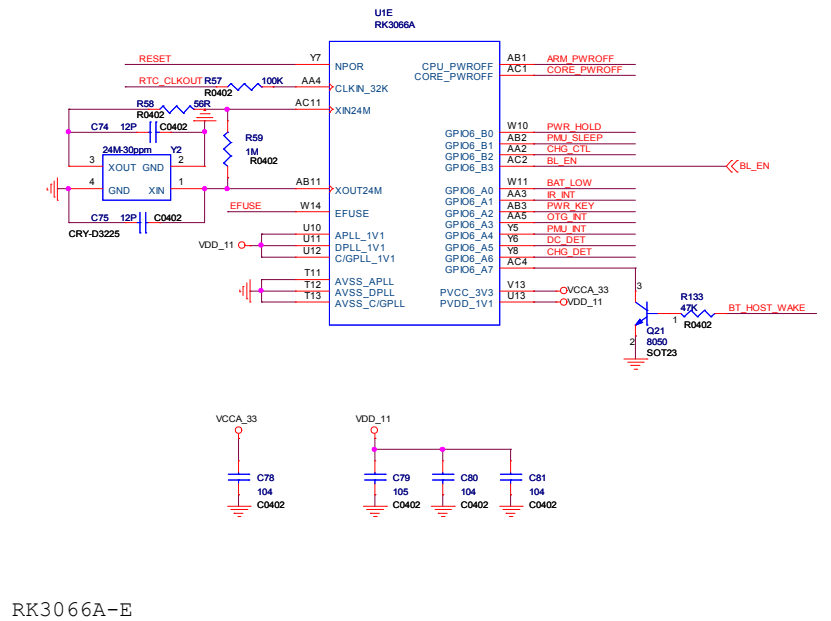
RK3066A-B



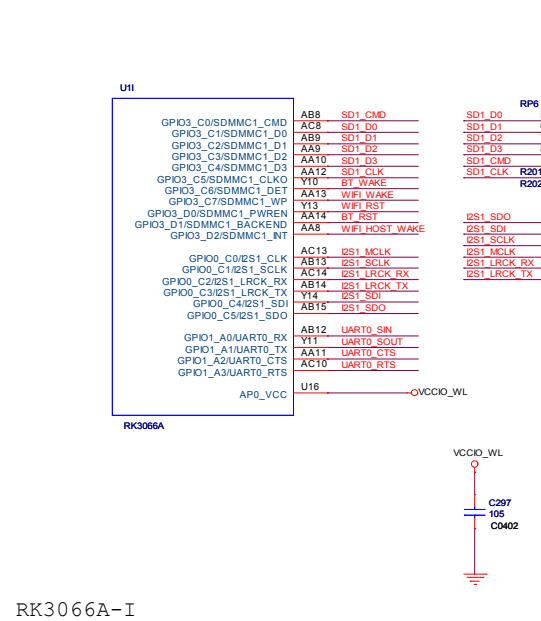
RK3066A-C



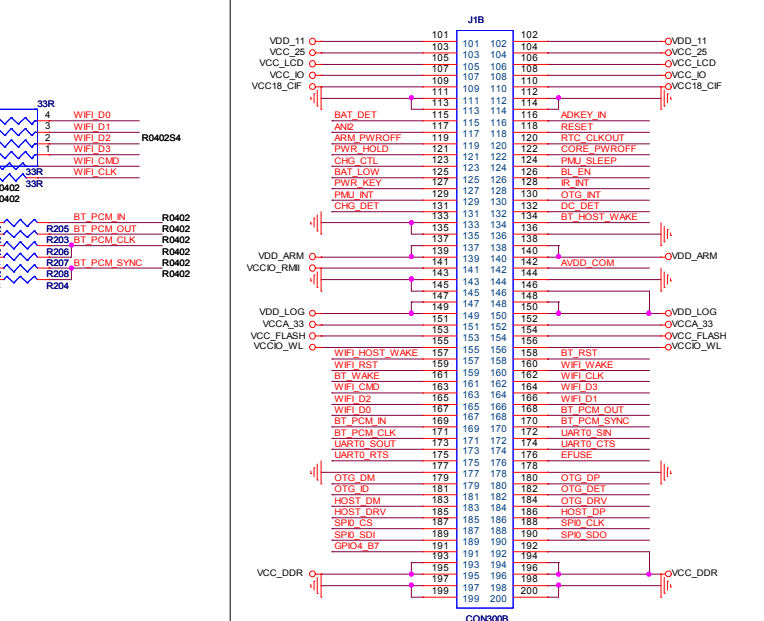
Rockchip
 瑞芯微电子
Title: RK3066A_S
File: LCD
 Create Date: Friday, Oct
 Modify Date: Wednesday,



RK3066A-E

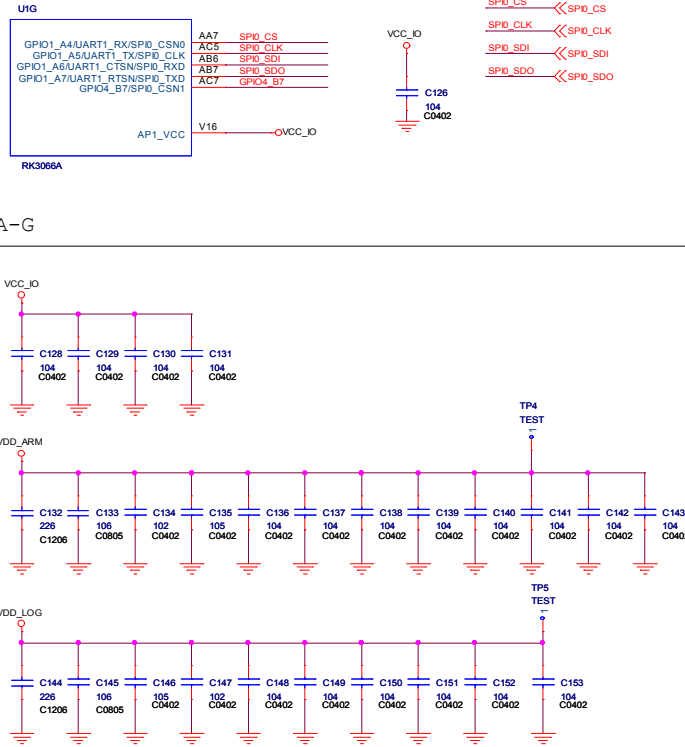


RK3066A-I



RK3066A-F

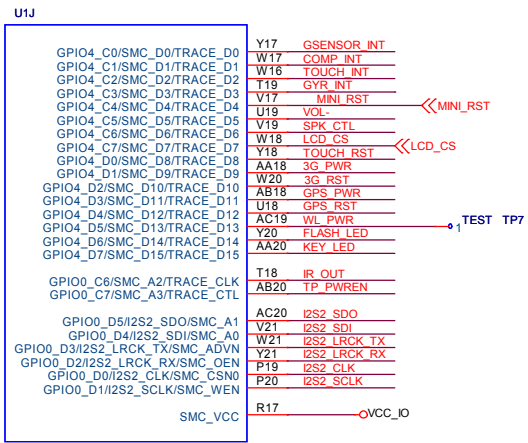
RK3066A-G



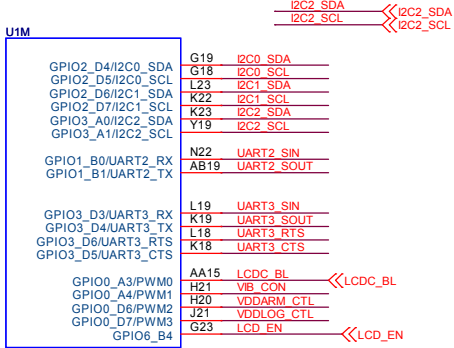
RK3066A-P

FILTER

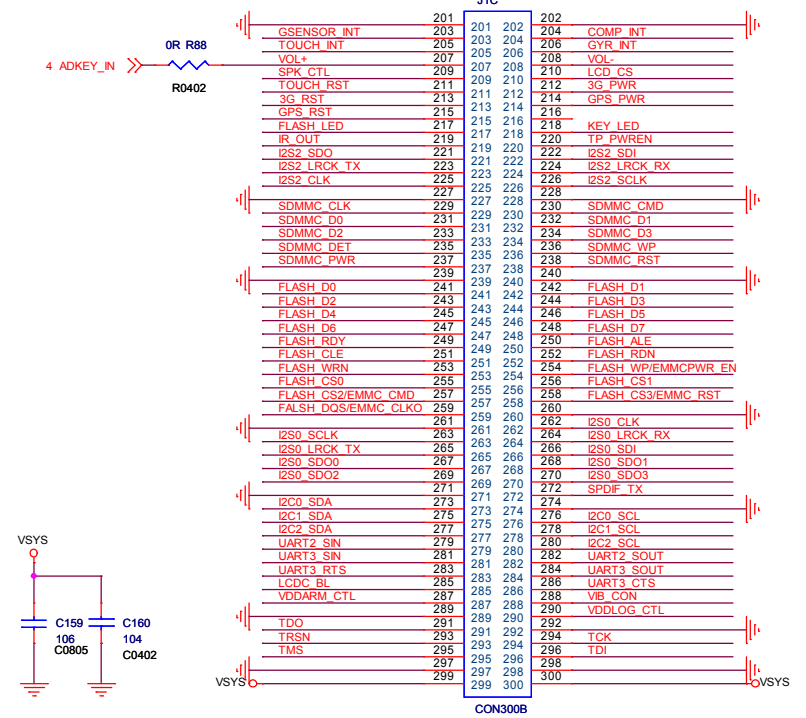
Rock
Title: RK3
File: AU
Create Date:
Modify Date:



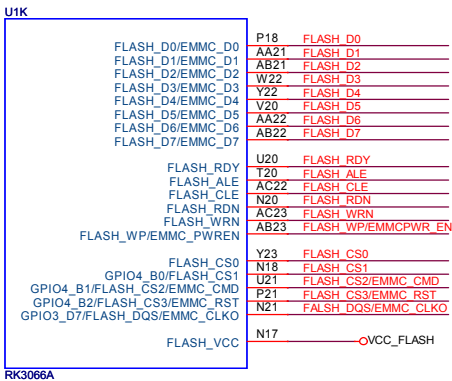
RK3066A-J



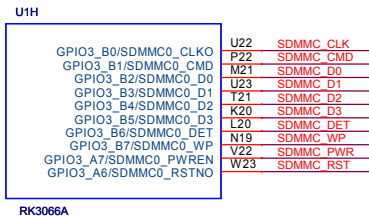
RK3066A-M



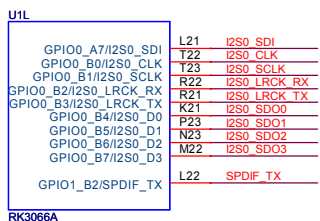
RK3066A-Q



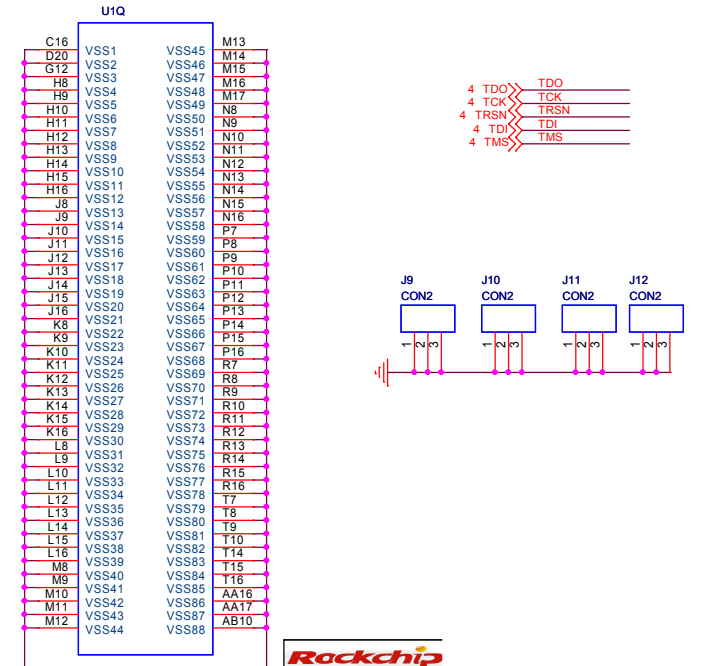
RK3066A-K



RK3066A-H



RK3066A-L



RK3066A-Q

Rockchip
瑞芯微电子

Title: **RK3066A**

File: **FLASH/SD**

Create Date: **Thursday, O**

Modify Date: **Wednesday,**